

WARRANTY INFORMATION SERVICE INFORMATION

Official Notification Federal Boat Safety Act 900 SC Fuel Line Replacement

Models Affected

All HP900 SC engines serial number 0L600077 & below.

The 900SC engines listed require replacement of the fuel lines between the fuel filter and the carburetors. Affected units were assembled with fuel lines that could crack, causing a possible hazardous fuel leakage situation.

Owner Notification

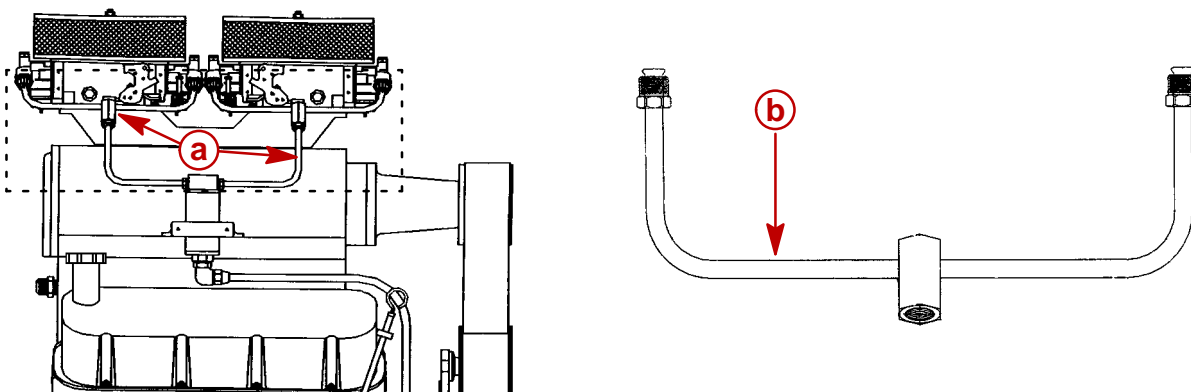
A letter will be sent to every registered owner of an affected 900SC Sterndrive. The letter will advise the owner to return their 900SC (s) to their selling dealer or any Mercury Mer-Cruiser authorized dealer for replacement of the fuel lines. A copy of the letter is included with this Service Bulletin.

Dealer Inventory

All 900SC engines in dealer inventory **MUST BE** updated with the new fuel line kit prior to customer delivery.

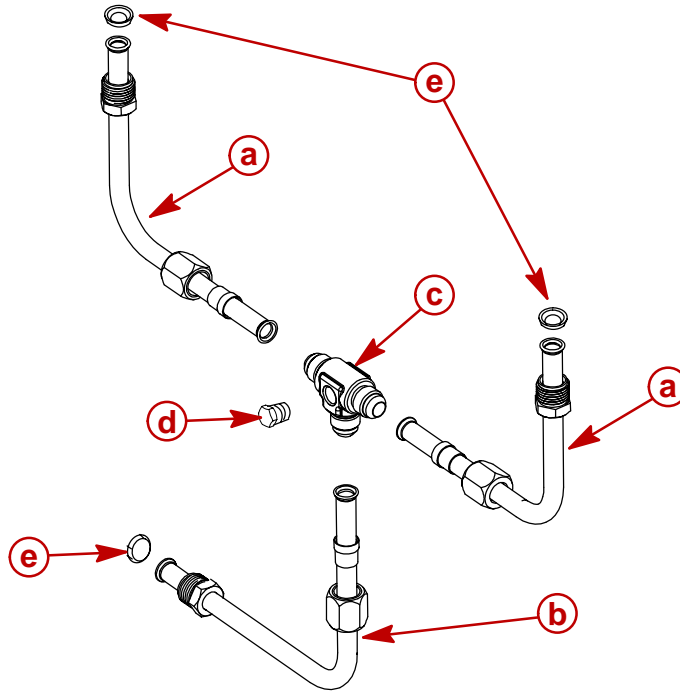
Fuel Line Identification for Replacement

Replace all fuel lines between the fuel filter and carburetors if the **lines to the carburetors** are one piece and painted blue.



- a** - Fuel Lines Between Fuel Filter and Carburetor
- b** - One Piece Style Blue Carburetor Fuel Line

Fuel Line Kit (P/N 842406A2) Components (2 kits required per engine)



- a** - Carburetor Fuel Lines
- b** - Filter to Carburetor Fuel Line
- c** - Tee Fitting
- d** - Pipe Plug
- e** - Flare Sealing Gaskets

Warranty

USA & CANADA

Complete/process a claim via Midas or return a warranty claim form. Discard fuel lines from disassembly.

Complete warranty claim listing:

- Engine Serial Number
- Quantity of 2 kits P/N 842406A2
- Eight tenth (0.8) hour labor
- Flat Rate Code: EXCP
- Failure Code: 713-40

INTERNATIONAL

Follow instructions issued by Marine Power International office or by your distributor.



Marine Products and Services

N7480 County Road UU
Fond du Lac, WI 54935 USA
Phone: 920-921-5330
Fax: 920-921-6533
www.mercurymarine.com

Dear Mercury Racing MerCruiser Customer:

Our records indicate that you are the owner of a Mercury Racing Hi-Performance 900SC included in a recall. The fuel lines between the fuel filter and carburetors could crack, causing a possible hazardous fuel leakage situation. Fuel lines must be replaced prior to further operation of your engine (s).

WHAT YOU SHOULD DO

Contact your authorized MerCruiser dealer, preferably the one who sold you the engine, and make arrangements for the replacement of the fuel lines in question. The dealer will refer to Mercury Racing MerCruiser Service Bulletin 99-10 for instructions. You must deliver your engine (s) to the dealer and present this letter, the reverse side of which is a claim form your dealer may want to use to send to us for reimbursement.

NOTE: *If your boat is in storage, you may want to wait until you remove it from storage to have this service performed.*

WHAT WE WILL DO

We will reimburse the authorized dealer for replacing the fuel lines in accordance with the Mercury Racing MerCruiser Service Bulletin 99-10.

We apologize for any inconvenience this recall may have caused you. However, we have taken this action to assure your boating safety, enjoyment and continued satisfaction with our product.

Sincerely,

Mercury Racing